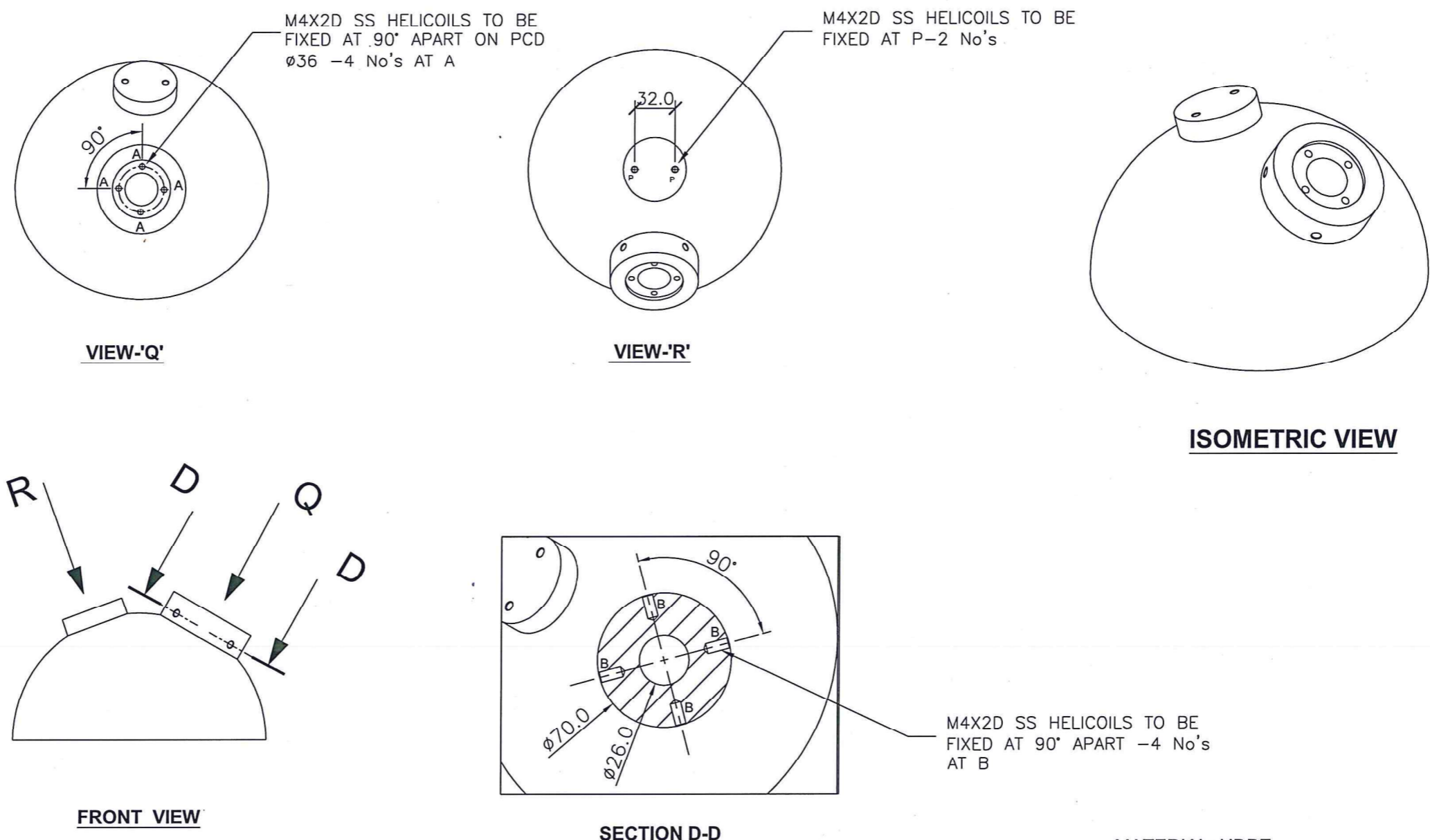


MD-55-18-E02494-A3
SHT. 1 OF 1
REV. 0

ORIGINAL
(STAMPED IN RED)
(VARY AS PER WIDTH)

DIMENSIONS
IT - 5.08 mm
IU - 44.45 mm
IW - 22.5 mm
(CLEARANCE WOULD VARY AS PER WIDTH)

ECIL PROPRIETARY
THIS DOCUMENT IS THE PROPERTY OF ECIL. NO EXPLOITATION
ANY INFORMATION CONTAINED HERE IN IS
PERMITTED IN THE ABSENCE OF AN AGREEMENT WITH ECIL
AND NEITHER THE DOCUMENT NOR ANY SUCH INFORMATION
MAY BE RELEASED WITHOUT THE WRITTEN CONSENT OF ECIL.



MATERIAL: HDPE
FINISH: CHEMICAL CLEANED
NOTES:
1) DIMENSIONS SHALL BE FOLLOWED STRICTLY.
2) REMOVE SHARP CORNERS & BURRS.

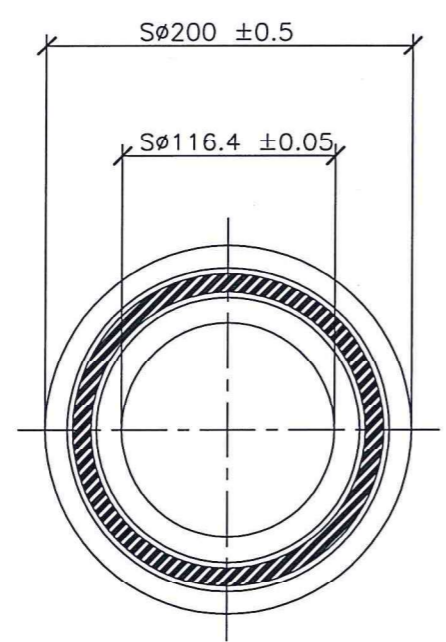
										TITLE		UPPER HALF OUTER SPHERE	
				TITLE		DRG.No.				DRN		PRASHANT	
				REFERENCE DRAWINGS						DRG.CHKD.		ARAVIND	
				SCALE: NTS		PROJECTION				DES.		DES.CHKD.	
				ALL DIMENSIONS ARE IN mm UNLESS STATED		OTHERWISE GENERAL TOLERANCE		1 0 MFG.		APPD.		R. Sridhar	
				FULL NOS. \pm 1 DECIMAL \pm 0.5 2DEC.PLACE \pm 0.2 DEGREE \pm 1/2		ISSUE No.		REV. No.		ISSUED FOR		PROJ.NO.49-400-00-000	
				DESCRIPTION		DRN DATE		APPD.		ELECTRONICS CORPORATION OF INDIA LIMITED		DRG.No.	
				REVISIONS						REACTOR PROJECTS DIVISION		MD-55-18-E02494-A3	
										HYDERABAD-500062		SHT. 1 OF 1	
												REV. 0	

8 7 6 5 4 3 2 1

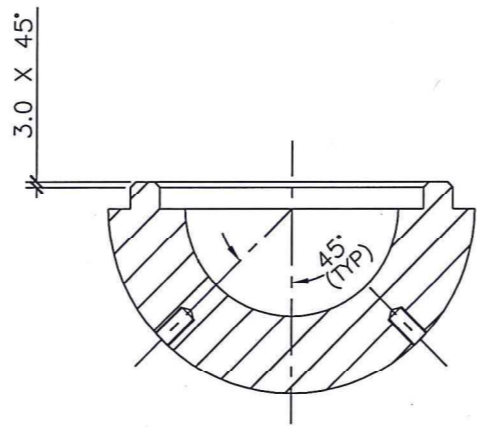
MD-55-18-E02495-A3
SHT. 1 OF 1
REV. 0

ORIGINAL
(STAMPED IN RED)
DIMENSIONS
1T - 5.08 mm
1U - 44.45 mm
1W - 22.5 mm
(CLEARANCE WOULD VARY AS PER WIDTH)

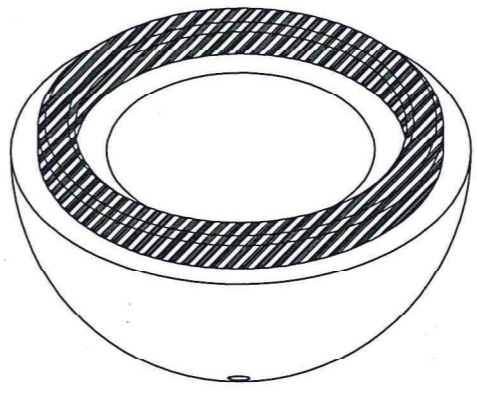
ECIL PROPRIETARY
THIS DOCUMENT IS THE PROPERTY OF ECIL. NO EXPLOITATION
ANY INFORMATION CONTAINED HERE IN IS
PERMITTED IN THE ABSENCE OF AN AGREEMENT WITH ECIL
AND NEITHER THE DOCUMENT NOR ANY SUCH INFORMATION
MAY BE RELEASED WITHOUT THE WRITTEN CONSENT OF ECIL.



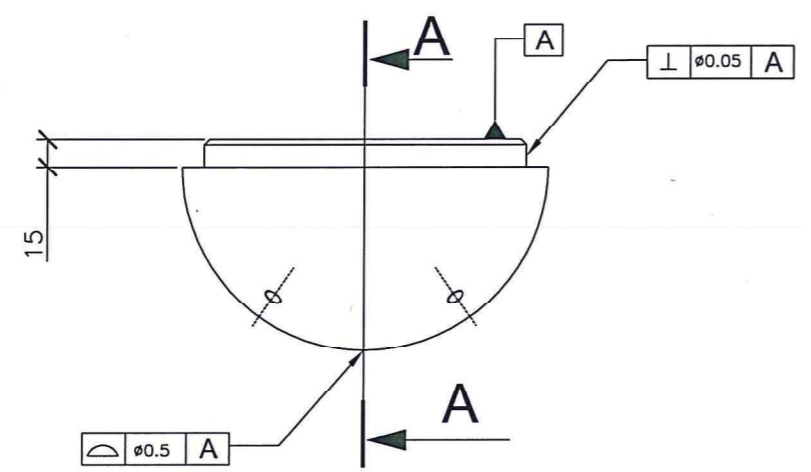
TOP VIEW



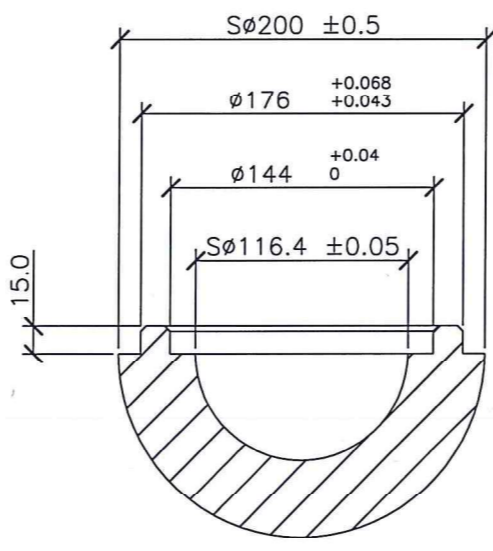
SECTION C-C



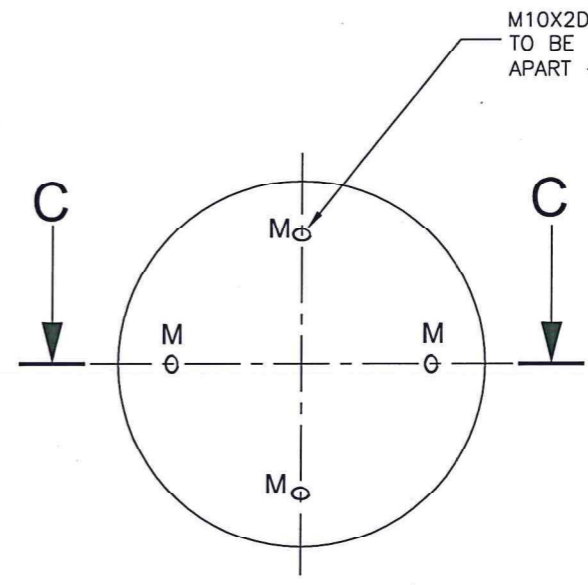
ISOMETRIC VIEW
(ONLY FOR REFERENCE)



FRONT VIEW



SECTION A A



BOTTOM VIEW

MATERIAL: HDPE
FINISH: CHEMICAL CLEANED
NOTES:
1) DIMENSIONS SHALL BE FOLLOWED STRICTLY.
2) REMOVE SHARP CORNERS & BURRS.

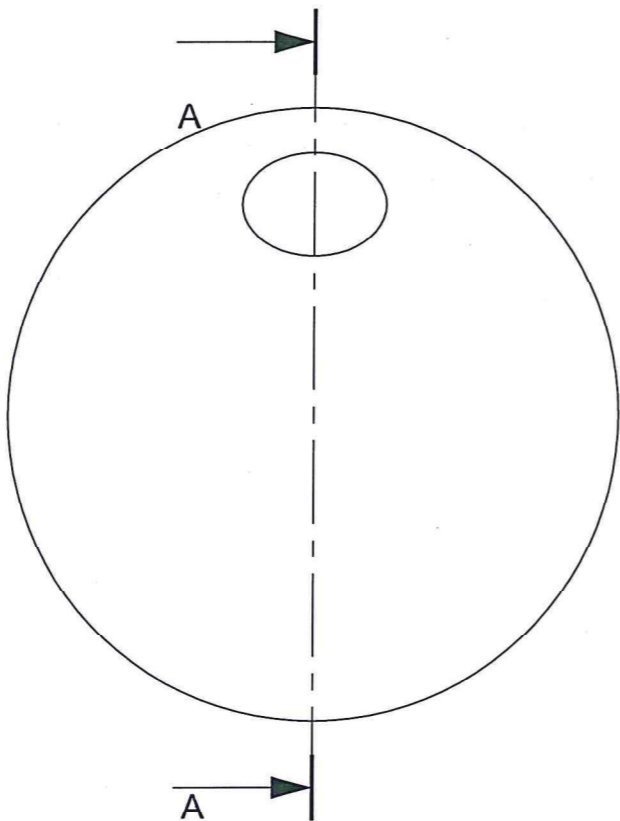
TITLE					LOWER HALF OUTER SPHERE						
DRN	DRG.CHKD.	DES.	DES.CHKD.	APPD.	PRASHANT ARAVIND <i>R. Sidley</i>						
ELECTRONICS CORPORATION OF INDIA LIMITED REACTOR PROJECTS DIVISION HYDERABAD-500062					PROJ.NO.49-400-00-000 DRG.No. MD-55-18-E02495-A3						
ALL DIMENSIONS ARE IN mm UNLESS STATED OTHERWISE GENERAL TOLERANCE FULL NOS. ±1 DECIMAL ±0.5 2DEC.PLACE ±0.2 DEGREE ±1/2					1	0	MFG.	SHT. 1 OF 1			
No.	LOC	DESCRIPTION	DRN DATE	APPD.	ISSUE No.	REV. No.	ISSUED FOR	PROJ.No.	ISSUE SHT.No.	DATE	APPD.
REVISIONS											

MD-55-18-E02496-A3
 SHT. 1 OF 1
 REV. 0

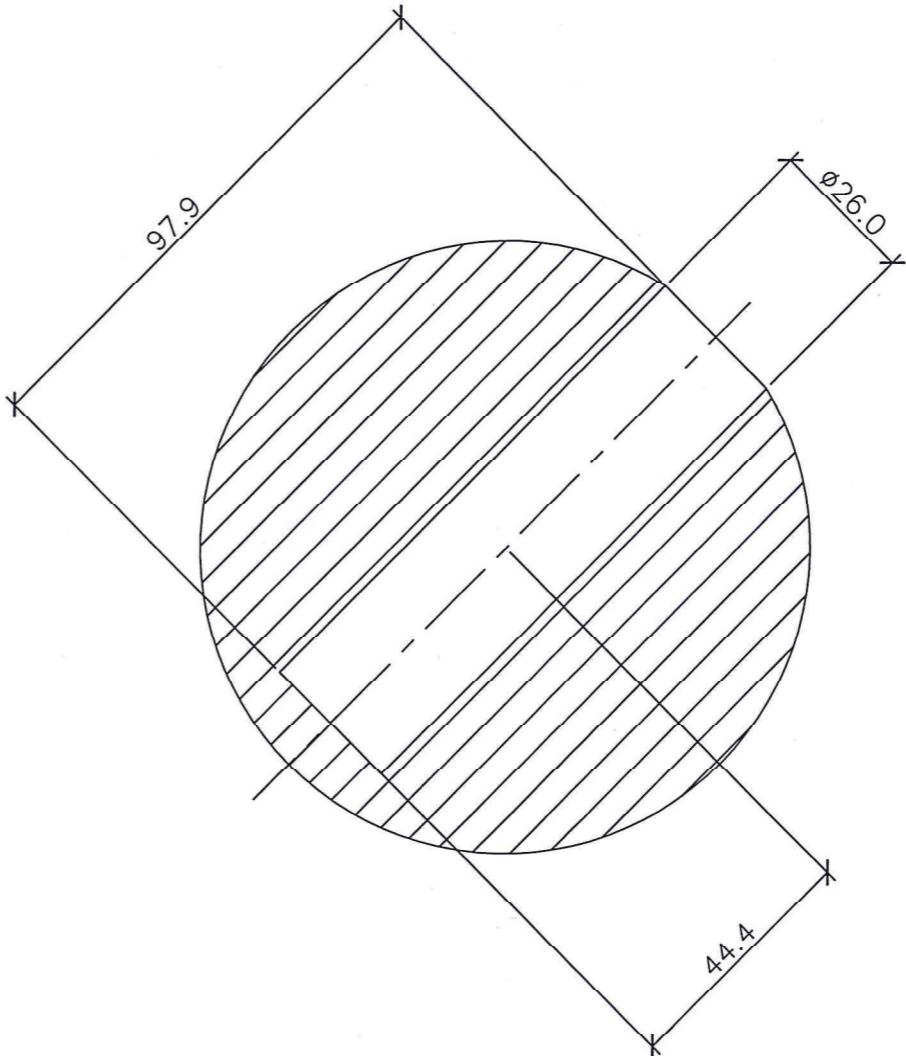
ORIGINAL
 (STAMPED IN RED)

DIMENSIONS
 1T - 5.08 mm
 1U - 44.45 mm
 1W - 22.5 mm
 (CLEARANCE WOULD VARY AS PER WIDTH)

ECIL PROPRIETARY
 THIS DOCUMENT IS THE PROPERTY OF ECIL. NO EXPLOITATION
 ANY INFORMATION CONTAINED HERE IN IS
 PERMITTED IN THE ABSENCE OF AN AGREEMENT WITH ECIL
 AND NEITHER THE DOCUMENT NOR ANY SUCH INFORMATION
 MAY BE RELEASED WITHOUT THE WRITTEN CONSENT OF ECIL.



FRONT VIEW



SECTION A-A

MATERIAL: HDPE/PURE POLYETHYLENE
FINISH: CHEMICAL CLEANED
NOTES:
 1) DIMENSIONS SHALL BE FOLLOWED STRICTLY.
 2) REMOVE SHARP CORNERS & BURRS.

ALL DIMENSIONS ARE IN mm UNLESS STATED
 OTHERWISE GENERAL TOLERANCE
 FULL NOS. ± 1 DECIMAL ± 0.5 2DEC.PLACE ± 0.2 DEGREE $\pm 1/2$

										TITLE				
										INNER SPHERE				
										DRN	DRG.CHKD.	DES.	DES.CHKD.	APPD.
										PRASHANT	ARAVIND	<i>R. Sidler</i>	<i>R. Sidler</i>	<i>R. Sidler</i>
										ELECTRONICS CORPORATION OF INDIA LIMITED REACTOR PROJECTS DIVISION HYDERABAD-500062				PROJ.NO.49-400-00-000
										SCALE: NTS PROJECTION				DRG.No.
										ALL DIMENSIONS ARE IN mm UNLESS STATED OTHERWISE GENERAL TOLERANCE FULL NOS. ± 1 DECIMAL ± 0.5 2DEC.PLACE ± 0.2 DEGREE $\pm 1/2$				MD-55-18-E02496-A3
No.	LOC	DESCRIPTION	DRN DATE	APPD.	ISSUE No.	REV. No.	ISSUED FOR	PROJ.No.	ISSUE SHT.No.	DATE	APPD.	1	OF	1
										REV. 0				

8 7 6 5 4 3 2 1

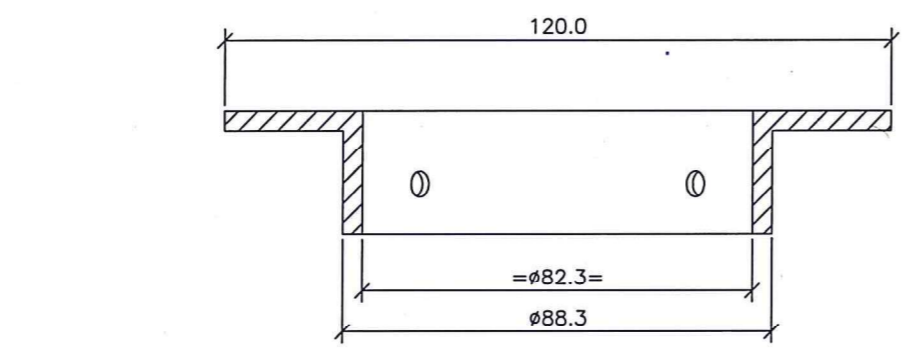
REV. 0
SHT. 1 OF 4
MD-55-18-E02497-A3

ORIGINAL
(STAMPED IN RED)
DIMENSIONS WOULD VARY AS PER WIDTH

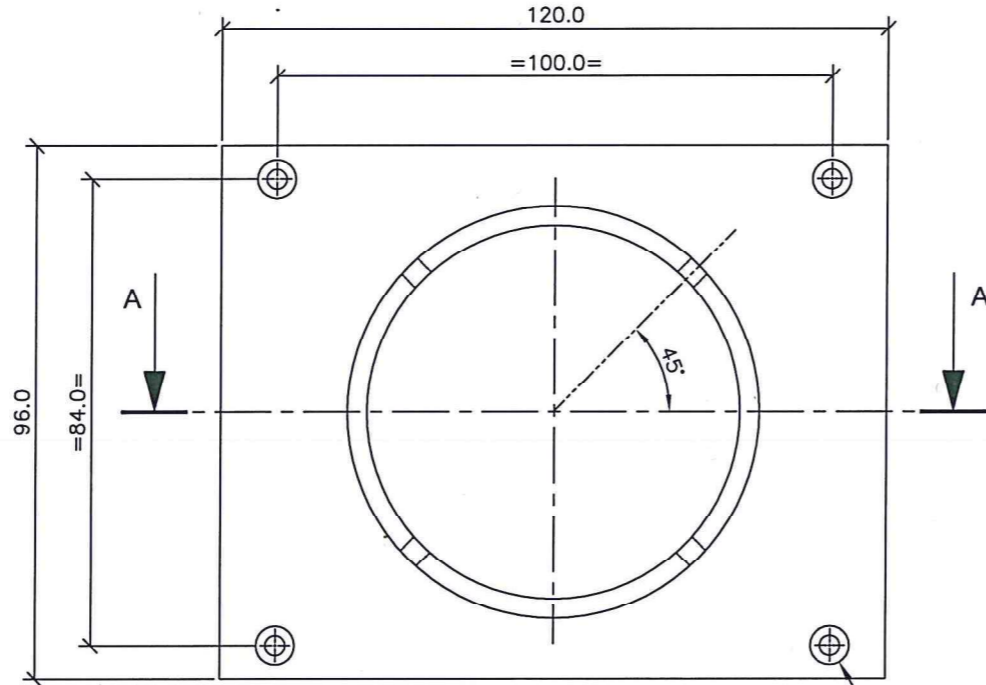
DIMENSIONS
1T - 5.08 mm
1U - 44.45 mm
1W - 22.5 mm
(CLEARANCE WOULD VARY AS PER WIDTH)

ECIL PROPRIETARY
THIS DOCUMENT IS THE PROPERTY OF ECIL. NO EXPLOITATION
ANY INFORMATION CONTAINED HERE IN IS
PERMITTED IN THE ABSENCE OF AN AGREEMENT WITH ECIL
AND NEITHER THE DOCUMENT NOR ANY SUCH INFORMATION
MAY BE RELEASED WITHOUT THE WRITTEN CONSENT OF ECIL.

ALL DIMENSIONS ARE IN mm UNLESS STATED
OTHERWISE GENERAL TOLERANCE
FULL NOS. ±0.3 1DEC.PLACE ±0.2

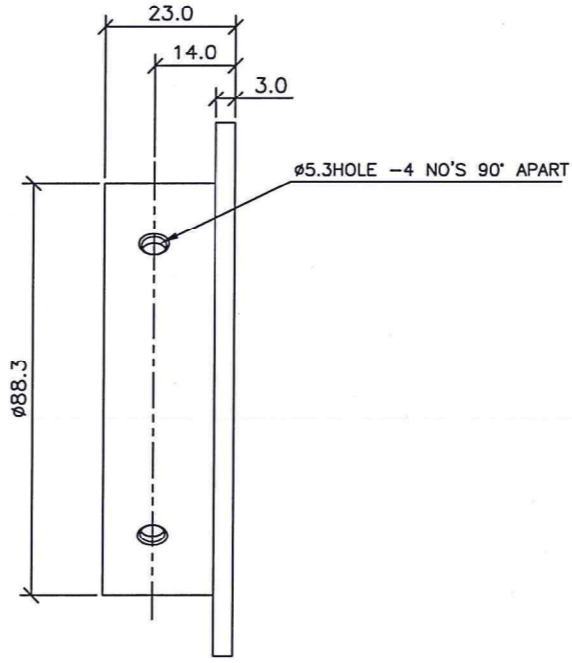


SECTION A-A

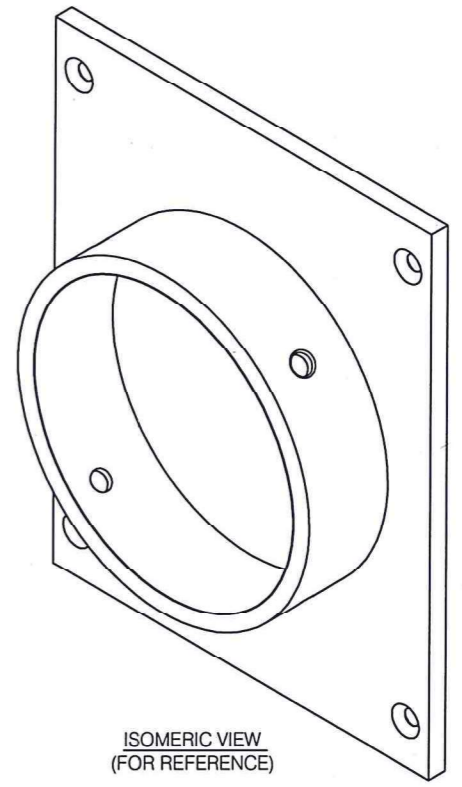


FRONT VIEW

CSK HOLE SUITABLE TO
M3 CSK SCREW.-4 NO'S



SIDE VIEW



ISOMERIC VIEW
(FOR REFERENCE)

BOTTOM PLATE

MATL.: ALUMINIUM ALLOY GRADE 64430-WP AS PER IS:736
NOTE: REMOVE ALL SHARP CORNERS & BURRS.

TITLE					BOTTOM, TOP & SIDE PLATE				
DRN	DRG.CHKD.	DES.	DES.CHKD.	APPD.	PRASHANT ARAVIND <i>[Signature]</i>				
PROJECT NO.					49-400-00-000				
DRAWING NO.					MD-55-18-E02497-A3				
SHEET NO.					1 OF 4				
REV.					0				

DESCRIPTION		DRN DATE	APPD.	SCALE: NTS		PROJECTION		ALL DIMENSIONS ARE IN mm UNLESS STATED OTHERWISE GENERAL TOLERANCE FULL NOS. ±1 DECIMAL ±0.5 2DEC.PLACE ±0.2 DEGREE ±1/2		1	0	MFG.	PROJ.No.	ISSUE SHT.No.	DATE	APPD.	
No.	LOC	REVISIONS		ISSUE No.		REV. No.		ISSUED FOR		PROJ.No.		ISSUE SHT.No.		DATE		APPD.	